

# Vehicle-Mounted Arrow Boards



**Work Area Protection Vehicle-Mounted Arrow Boards** are your best choice for jobs that keep you on the move enabling the user to signal, control and direct vehicle traffic through construction zones and roadside incident areas. The durable, all-weather aluminum units are easy to deploy and ideal for short or long term projects.

The system incorporates a "non-blinding," minimum glare, electro-optical design to reduce nighttime blinding issues that exist on conventional advance warning systems.

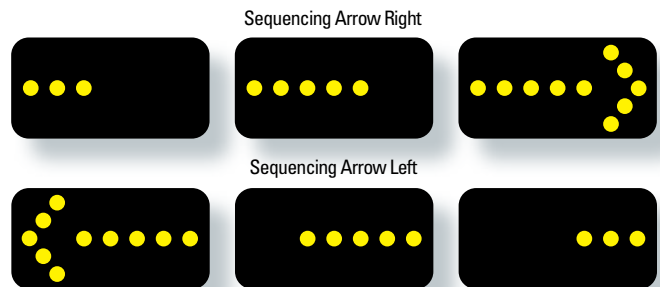
## Features

- Available in 3 sizes: 48" x 24", 60" x 30", 72" x 36"
- 48" x 24" Only available in 15 light model; 60" x 30" and 72" x 36" both available in 15 and 25 light models
- Durable, lightweight, all weather, aluminum construction
- Equipped with a spring-loaded locking device for added stability in both travel and display positions
- Available in manual or optional power actuated lift models
- Available in Par 36 or 46 LED Lamps
- Solid state controller provides photocell dimming to reduce nighttime glare
- Complies with MUTCD requirements
- Optional wireless, hand-held controller available

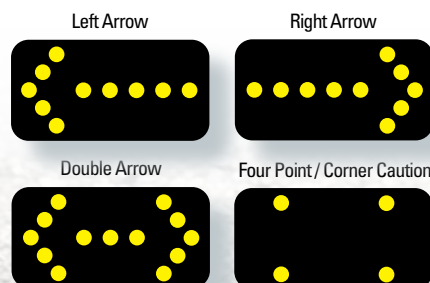
**Straight up...  
the best arrow board available**



## 25-Light Display Modes



## 15-Light & 25-Light Display Modes



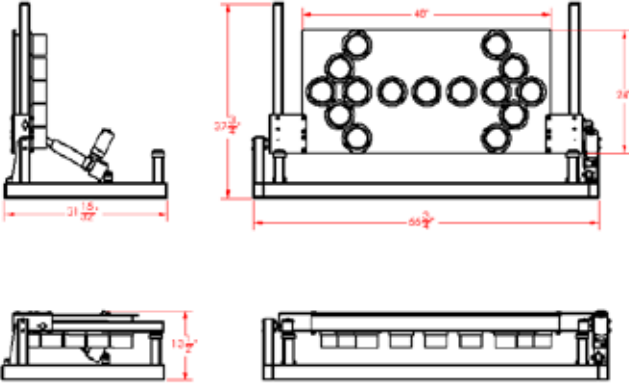
**Work Area Protection Corp.**

2500 Production Drive • St. Charles, IL 60174-9081

# Specifications Arrow Boards

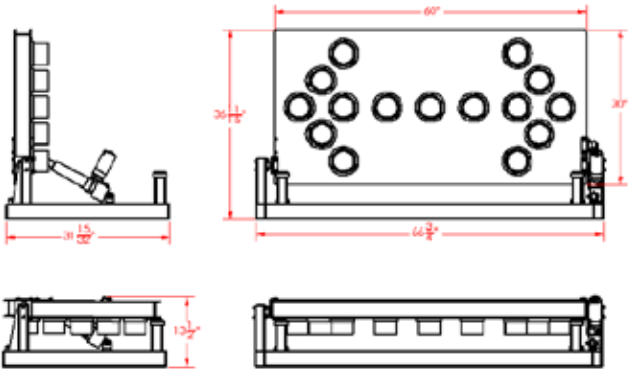
## 48" x 24"

Operating Temperature – 67°F - 212°F  
 Shipping Weight – 125 lbs  
 Available in 15 lamps only  
 Frame – Black Powder Coat, 3"x 2" Square steel tubing,  
 2"x 2" Square steel tube support frame  
 Power System – Runs off any 12 Volt Vehicle power system  
 Vehicle Cab Control – 7 Modes of operation



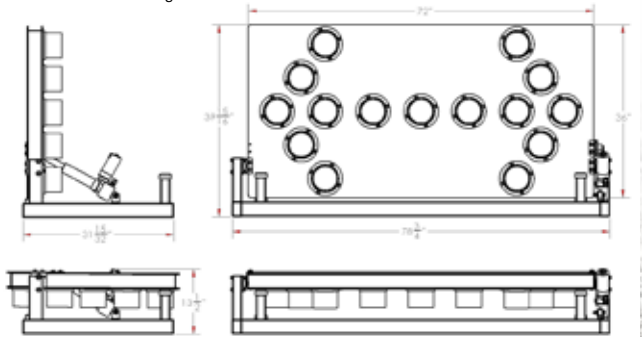
## 30" x 60"

Operating Temperature – 67°F - 212°F  
 Shipping Weight – 120 lbs  
 Available in 15 and 25 lamps  
 Frame – Black Powder Coat, 3"x 2" Square steel tubing,  
 2" x 2" Square steel tube support frame  
 Power System – Runs off any 12 Volt Vehicle power system  
 Controller – In cab controller - 7 Modes of operation for 15 light and 10 modes for 25 light

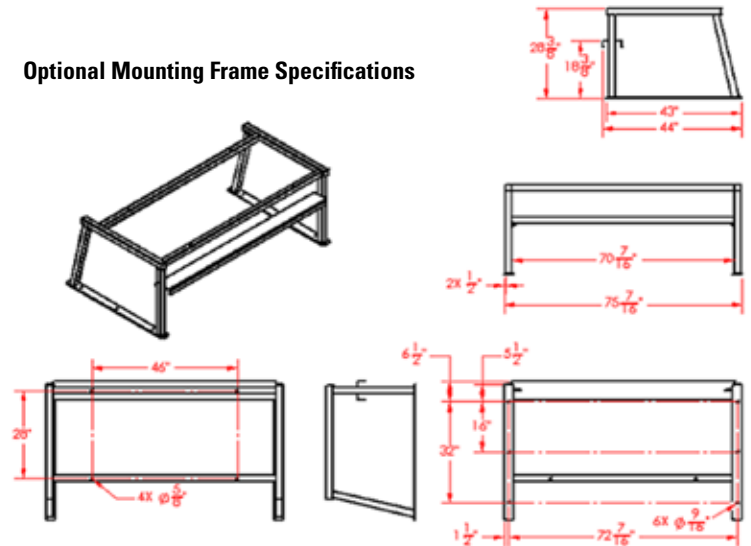


## 72" x 36"

Operating Temperature – 67°F - 212°F  
 Shipping Weight – 140 lbs  
 Available in 15 and 25 lamps  
 Frame – Black Powder Coat, 3"x 2" Square steel tubing,  
 2" x 2" Square steel tube support frame  
 Power System – Runs off any 12 Volt Vehicle power system  
 Controller – In cab controller - 7 Modes of operation for 15 light and 10 modes for 25 light



## Optional Mounting Frame Specifications

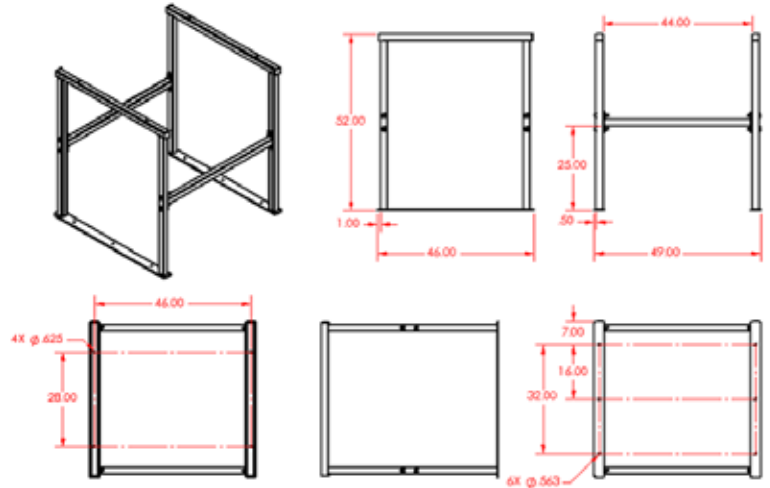


### Bed Rail Mount Frame (ABOVE).

Can mount directly to vehicle bed rail by altering frame width.

Bracket can be used so that no drilling will have to be performed on truck bed itself.  
 Custom sized units are also available.

### Bed Mount Frame (BELOW). Mounted directly to vehicle bed.



**Disclaimer**  
 Designs are subject to change without prior notice. Any modification or unintended use voids all warranties.

NESL and all subsidiaries, including Work Area Protection, disclaim all liabilities for injuries to persons or property due to any modification or unintended use of these products.

**U.S. Patents**  
 Channelizer Cones U.S. Patent D485,775  
 Optics for Advance Warner U.S. Patent 5,174,649



## Work Area Protection Corp.

2500 Production Drive • St. Charles, IL 60174-9081  
 Phone: 630.377.9100 • Orders: 800.327.4417 • Fax: 630.377.9270  
 Web: [www.workareaprotection.com](http://www.workareaprotection.com)

Member ATSSA

WAP Jan 2018  
 ©2018 Work Area Protection Corp.